

UNMENTIONED TOLERANCES

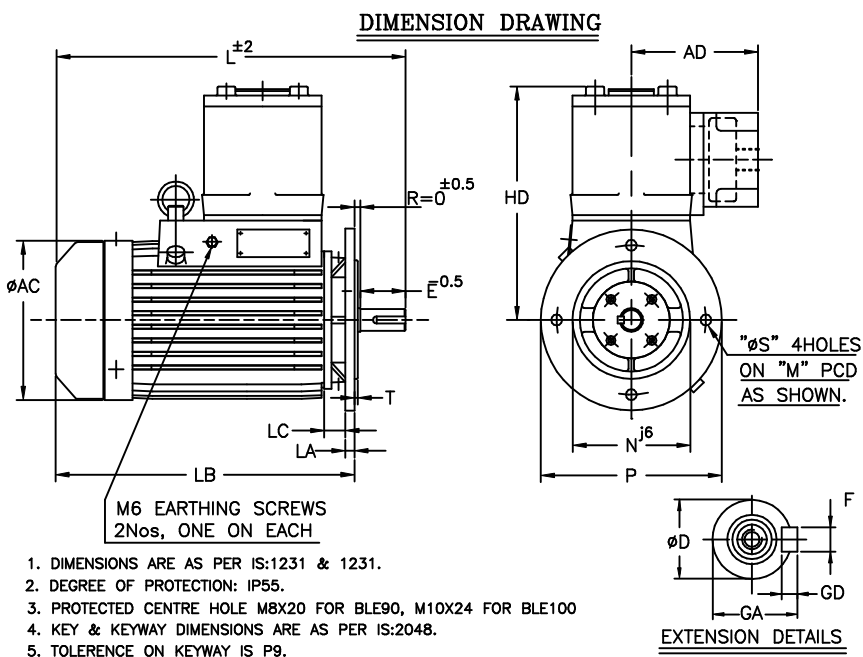
LINEAR DIMENSIONS (UP TO 1000)	0	6	315	1000
(MACHINED) TOL.	±0.2	±0.5	±0.8	±1.2
ANGLES	± 1/2°			

ALL INFORMATION CONTAINED IN THIS DOCUMENT IS CONFIDENTIAL AND THE PROPERTY OF KIRLOSKAR ELECTRIC CO.LTD. REPRODUCING OF THESE IN ANY FORM IS TO BE DONE WITH THE SPECIFIC PERMISSION OF THE COMPANY.

SURFACE ROUGHNESS (MAX) AS PER KSD-02-027

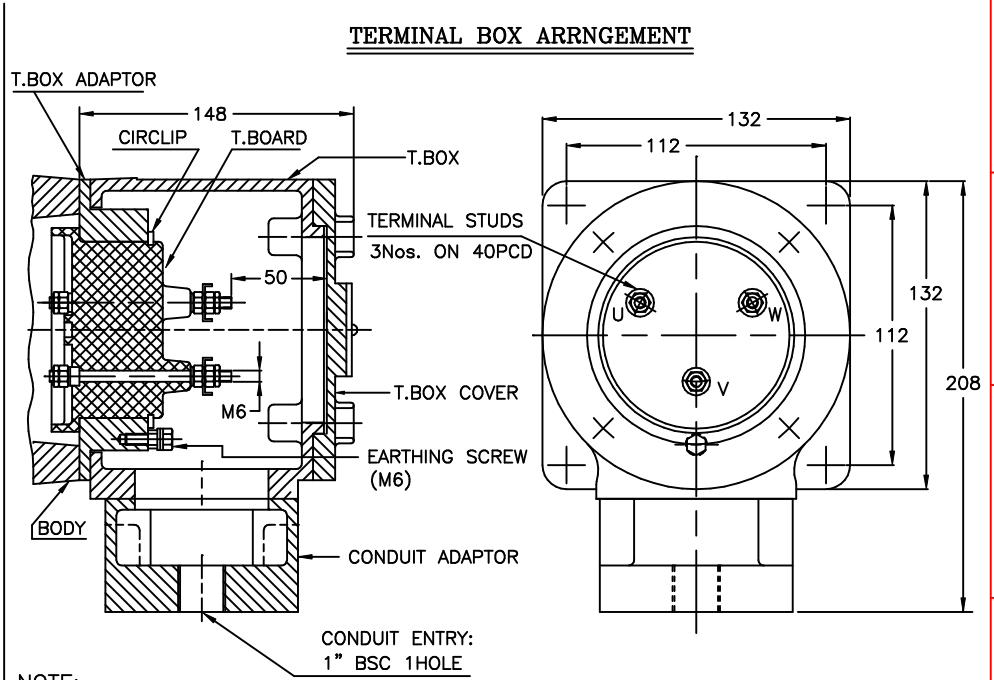
50	12.5	25	1.6	3.2	6.3	0.2	0.4	0.8	0.025	0.05	0.1
OLD	✓	✓	✓	✓	✓	✓	✓	✓	✓	✓	✓
NEW	✓	✓	✓	✓	✓	✓	✓	✓	✓	✓	✓

UC: CHAM: UNMENTIONED



ITEM/TAG No.			
RATING			
CABLE SIZE			
O/A NO.:	CUSTOMER :		
PROJECT :	CONSULTANT :	JOB No. :	

SL NO	FRAME	D	E	F	L	M	N ^{j6}	P	S	T	AC	GA	GD	HD	LA	LB	LC	AD
1	BLE 90	24 ^{j6}	50	8	380	165	130	200	12	3.5	177	27	7	258	10	330	23	145
2	BLE 100	28 ^{j6}	60	8	420	215	180	250	15	4	194	31	7	266	11	360	32	145



Z122634100JR

THIS SUPERSEDES FROM dt AS PER DCN No.....		THIS SUPERSEDED BY FROM dt AS PER DCN No.....	
MATERIAL SPECIFICATION	RAW MATERIAL SIZE	WEIGHT kg	 SCALE NTS
---	---	RM FIN.	
CASTING/FAB REF.	---	No.P.S.:	---
USED ON	BLE90 & 100	RE DRAWN	CHECKED
		Sd/-	Sd/-
		dt:22/01/2009	dt:22/01/2009
		STANDARD	APPROVED
		Sd/-	Sd/-
		dt:22/01/2009	dt:22/01/2009
TITLE: DIMENSION SHEET		32263498R1	
SHEET ONE OF ONE		KIRLOSKAR ELECTRIC COMPANY LTD. HUBLI-580030 (INDIA)	

REV.	ZONE	DCN.No.	BRIEF RECORD	SIGNATURE	DATE	PRINTS ISSUED TO
1	--	0122209	REDRAWN IN A NEW FORMAT.	Sd/-	22.01.09	QA PRODUCTION MMD
8	7	6	5			

FORM No. 02 201 02B (ISSUE 7)